

PAX-121 (F Model)

21.5" Clinical Display



Features

- Wide 21.5 screen with Full HD 1920x1080 resolution
- Fanless design with upgrade IP54-rated protection for superior hygiene and infection control
- With 10 point multi-touch control function
- Factory calibration included for GAMMA 2.2
- Compliant with IEC/EN 60601-1-2 EMC, IEC/EN 60601-1 MDR, UL60601-1 standards for medical devices



Introduction

PAX-121 fixed model is a versatile touch monitor with IP54 environmental protection and medical safety approval. With touchscreen and cover glass options.

Specifications

LCD	Screen Size	21.53"
	Resolution	1920 x 1080
	Aspect Ratio	0.672916667
	Pixel Pitch	0.08265 x 0.24795mm
	Viewing Angle	R/L 178(Type.),U/D 178(Type.)
	Contrast Ratio	1000:1
	Native Luminance (Typ)	250nits
	Color Depth	16.7 Million (6-bit + A-FRC)
	Display Mode	Transmissive Mode, Normally black
	Response Time	14 msec (Typ, on/off)
	Touch Screen	10-point multi touch P-CAP (clear glass); Option without Touch
Backlight	LED	
Input	DP 1.2 input	1 x DP Jack DisplayPort 1.2, 1920 x 1080 @ 60 Hz max.
	HDMI 1.4 Input	HDMI Jack x 1 (Type A) Digital RGB: TMDS, 1920 x 1080 @ 60 Hz max.
	DVI Input	DVI Jack x 1 (DVI) Digital RGB: TMDS, 1920 x 1080 @ 60 Hz max.
	USB Up	USB-B Jack x 1
	Audio Input	Audio Jack x 1
Output	HDMI 1.4 output	HDMI Jack x 1 (Type A) Digital RGB: TMDS, 1920 x 1080 @ 60 Hz max.
	Audio Output	Audio Jack x 1
Audio	Speaker	2Watt x 2
Power	Rating	DC 12V/5.42A max
IP Rating	Front Panel	IP65
	System	IP54
Button function	Keypad or DDC/CI (Tool)**	Menu/Exit/Up/Down/PWR
Option	GAMMA (2.2)	Factory calibration included, user re-calibration supported
	DICOM Part 14 (AAPM)	Optional for factory calibration (choose either GAMMA or DICOM)
	Touch Disable	Software mode adjustment
Certification	EMC & Safety	CCC,CE, FCC Class B, UL60601-1, IEC/EN 60601-1, IEC/EN 60601-1-2(EMC)
Physical Characteristics	Dimensions (W x H x D)	524 x 357 x 58 mm/20.63 x 14.06 x 2.28 in
	Weight	5.5 kg/12.13lb
	VESA Mount	100 x 100; 75 x 75 mm
Environment	Operating Temperature	0 ~ 40 °C/32 ~ 104 °F
	Storage Temperature	-20 ~ 60 °C/-4 ~ 140 °F
Warranty	System	3 years

*Optional input,SFP+Module x2 (AD Board to HDMI input,AVAS SFP to HDMI output)

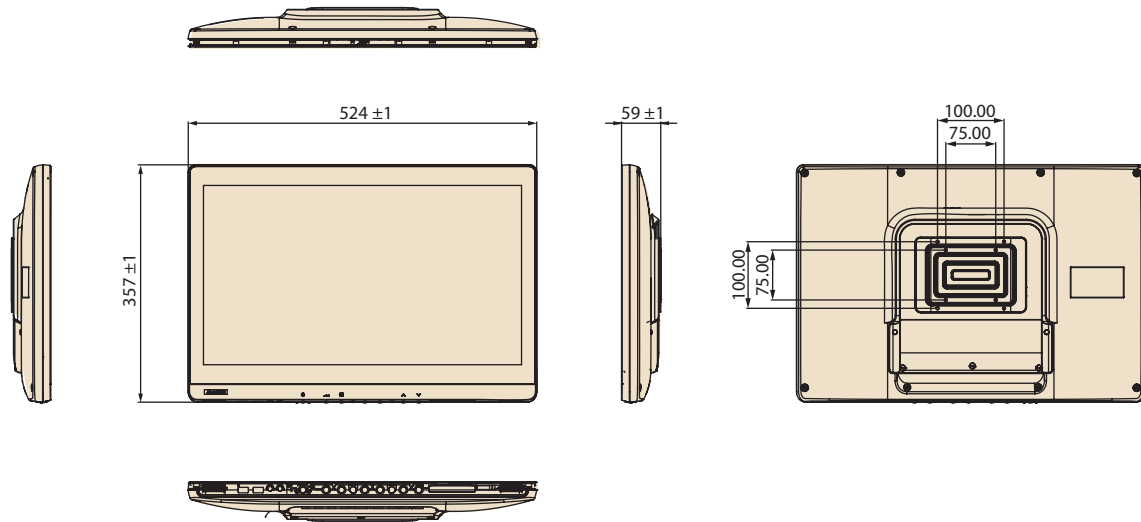
If you have requirements of this specification, you can ask Advantech sales to buy AVAS product

** This tool need to be installed into user's PC. Please download the file from link: [https://www.advantech.com/search?q=PAX-124%20\(M%20Model\)&st=support](https://www.advantech.com/search?q=PAX-124%20(M%20Model)&st=support)

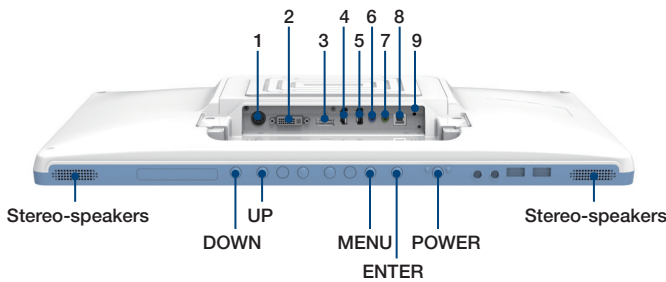
PAX-121 (F Model)

Dimensions

Unit: mm



I/O Ports



- 1.DC In
- 2.DVI In
- 3.DP In
- 4.HDMI Out
- 5.HDMI In

- 6.Audio In
- 7.Audio Out
- 8.USB B
- 9.Ground Pin

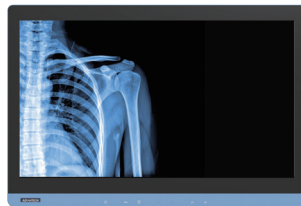
Ordering Information

Part Number	Touch Panel/Glass	Colour
PAX-121B-C2A-LFC	Touchscreen	Blue
PAX-121W-C2A-LFD	Clear Glass	White
PAX-121W-C2A-LFC	Touchscreen	White

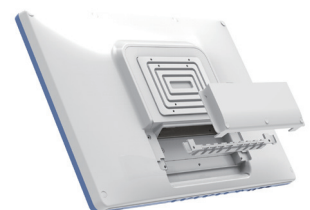
Power Cord List

Part No.	Description
1700019146	Power cord (China) 3P 2.5A 250V 1.83M
170203183C-01	Power cord (Europe) 3P 2.5A 250V 1.83M
1700001524	Power cord (USA) 3P 10A 125V 1.83M
170203180A-01	Power cord (UK) 3P 2.5A 250V 1.83M
1700008921	Power cord (Japan) 3P 7A 125V 1.83M
1700025113-11	Power cord (India) 3P 2.5A 250V 1.8M
1700021375-01	Power cord (Taiwan) 3P 2.5A 125V 2.5M
1700018553	Power cord (Australia) 3P 2.5A 250V 1.83M


High-precision & Quality Imaging for DICOM Compliance



IP54 Enclosures



Recommended Mounting Solution

Model Name	ARES-2421R
Part Number	ARES-2421R-HA74100
Photo	
Max. Support Weight	2 - 8kg
Max. Support Panel Size	≤ 27"
VESA Information	75 x 75 mm 100x100 mm

For more information, please click this link: <https://bit.ly/3T7dLMR>